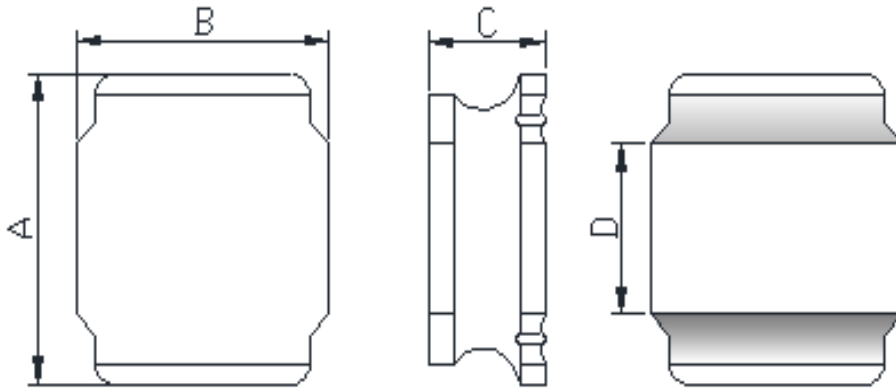


Shape And Dimensions



Item	No Tube
A (mm)	4.0±0.2
B (mm)	4.0±0.2
C (mm)	2.00Max
D(mm)	2.6±0.2