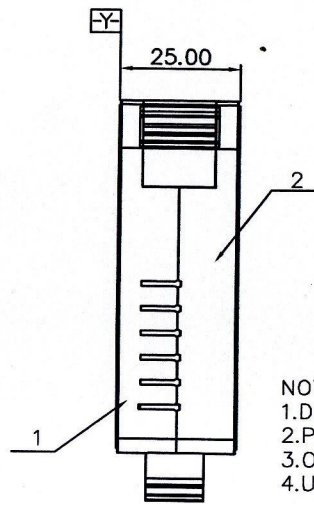
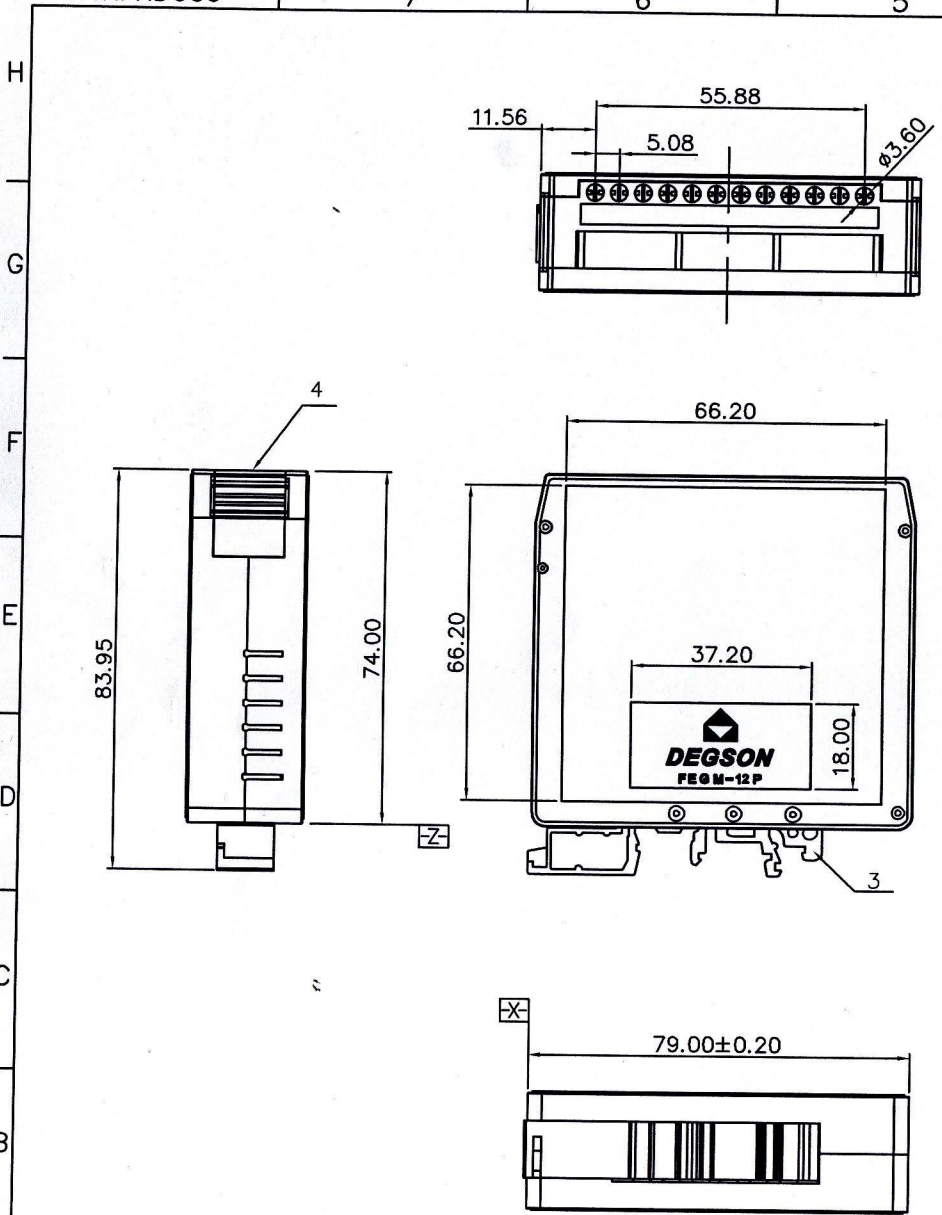
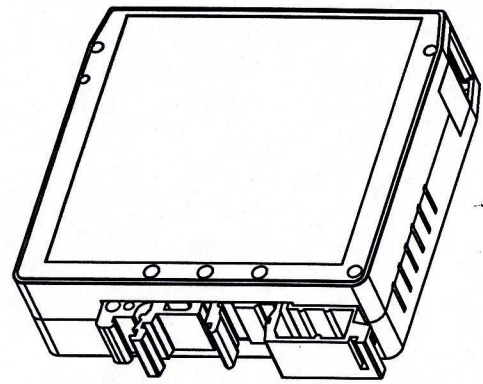


REVISION RECORD				
REV	ECN	DESCRIPTION	DRFT	DATE

仅供参考图
 签字: *王*
 日期: 11/21



NOTES:
 1. DIMENSION SHALL BE INTERPRETED PER ASME Y14.5-2009.
 2. PITCH: 5.08MM, POLES: N=12P
 3. OPERATION TEMPERATURES: -40°C ~ +105°C
 4. UNDIMENSIONED TOLERANCES:

PITCH RANGE IN MM		NOMINAL DIMENSION RANGE IN MM					
TO	OVER	OVER		OVER	OVER	OVER	
6	6	10		30	60	100	∩
6	TO	TO	TO	TO	TO	TO	◇
	10	24	30	60	100	150	
	±0.10	±0.15	±0.25	±0.20	±0.30	±0.50	±0.70
							±1.00
							0.05/10

2	FEGM-12P-RIGHT	8045CYY12C(H)	1	PA66	UL94V-0
1	FEGM-12P-LEFT	8045CYY12A(H)	1	PA66	UL94V-0
ITEM	NAME OF PART	NO. OF PART	QTY	MATERIAL	NOTES

DETACHED LISTS TOLERANCES EXCEPT AS NOTED .X ± .X" ± .XX ± .XX" ± .XXX ± .XXX" ± ANGLES ± 1° THIRD ANGLE PROJECTION		MATERIAL: FINISH: PART NO.: APPD: <i>Aaron 11/21/14</i> CHKD: DRFT: GYZ 2014/11/20		宁波高正电子有限公司 DEGSON ® DEGSON ELECTRONICS CO., LTD NAME: FEGM-12P-1Y-00A(H) TITLE: ASSEMBLY DRAWING DRAWING NO.: FEGM-12P-E01 DO NOT SCALE DRAWING		REV TO-1
		SCALE N/A SHEET 1/1				

4	FEGM-12P-LED	8045AYY12A(H)	1	PA66	UL94V-0
3	FEGM-12P-HOUSING	8045AYY12B(H)	1	PA66	UL94V-0