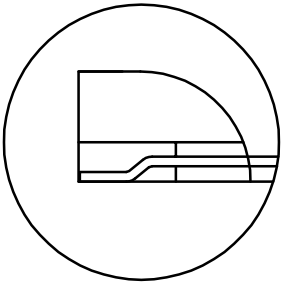
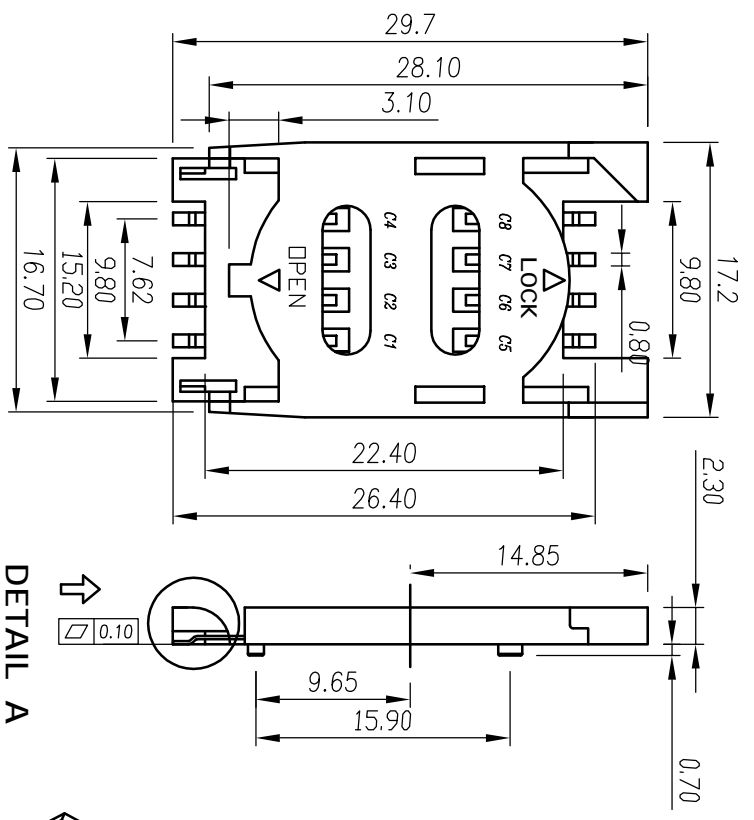
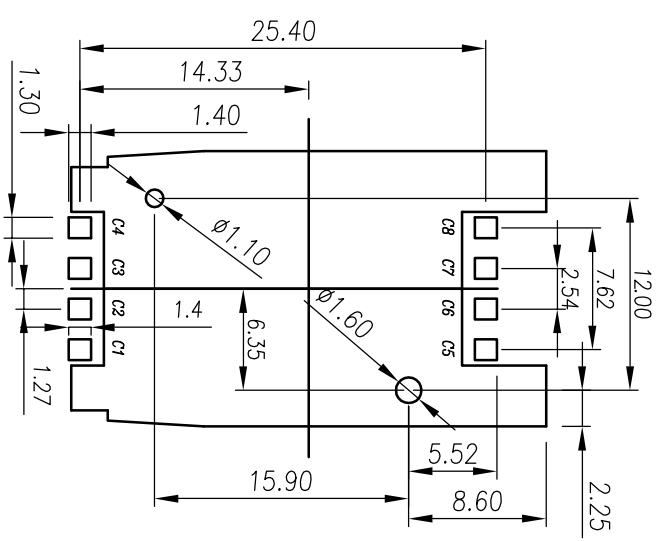
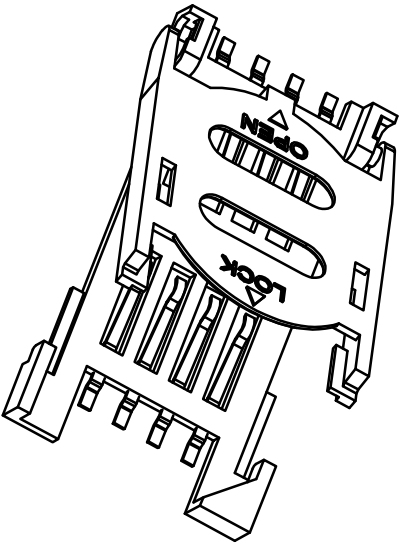
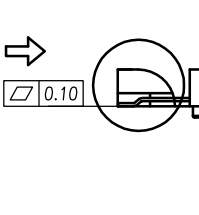


REV	MODIFICATION	DATE	DRAW
H	EN-10-0926	99/09/28	SAN
I	EN-10-1015	99/10/20	SAN
J	EN-10-1121	99/11/18	SAN

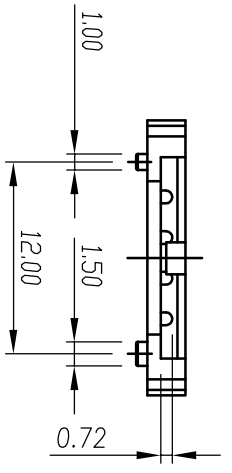


DETAIL A

DETAIL A



PCB LAYOUT RECOMMENDED



HOUSING: LCP UL 94V-0  
 CONTACT: SELECTIVE GOLD FLASH SPECIFICATIONS  
 VOLTAGE CURRENT RATING: 1A, 50V AC  
 INSULATION RESISTANCE: 1000Mohm Min  
 CONTACT WITHSTANDING VOLTAGE: AC 500V FOR 1 MINUTE  
 TEMPERATURE RATING: -40°C ~ +85°C

ORDER INFORMATION:  
 SIMMP-00 X 01B2 X X - C  
 COMPLY TO RoHS  
 0-WITHOUT POST  
 1-WITH POST  
 0-TUBE  
 1-T&R(700PCS/R)  
 6:6PIN(REMOVE C4&C8)  
 8:8PIN

DIMENSION IN mm [inch]		PROD. SPEC.	PROJ. NO.	FILE NO.	SIZE	SCALE	REV
TOLERANCE UNLESS OTHERWISE SPECIFIED		PKG. SPEC.	KINGSTON PRECISION INDUSTRIAL CO., LTD.		A4	2.5:1	XK
.XX±0.15	X.±	APPROVE	CUSTOMER DRAWING				
.XX±0.10	.XX±	CHECK	TITLE SIM CARD ACCEPTOR		PROJ. SHEET 1	1	
		DRAW	DRAWG NO. SIMMP-00X01B2XX-G				