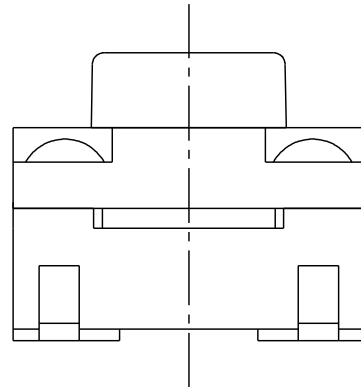
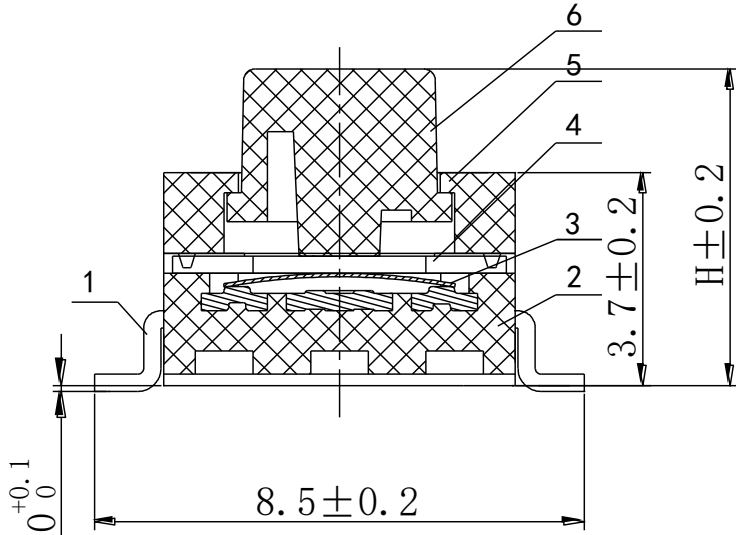
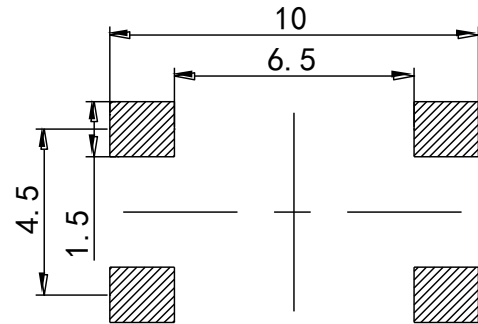
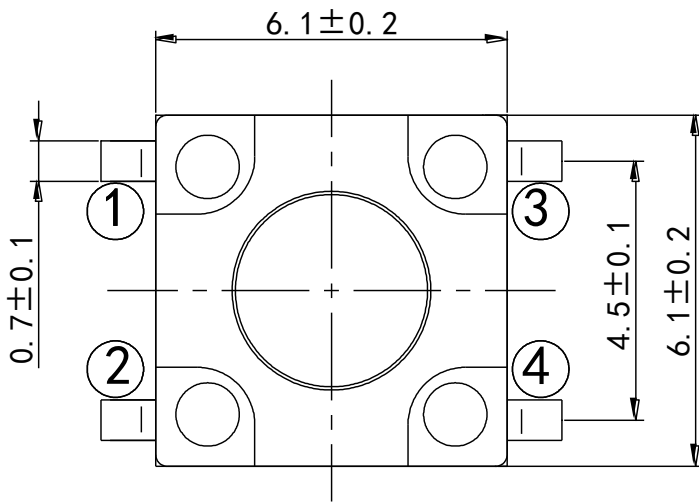
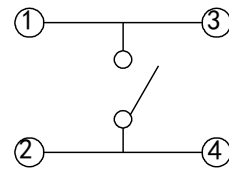


Product name	P/N	Version	Document No.
Tact switch	KAN0642-0501C1-C15	A/01	



电路图



PCB焊接尺寸图

General tolerance:  $\pm 0.2\text{mm}$  H=5.0

NO.	NAME	MATERIAL	QTY.	FINISHING
1	Terminal	Brass	1	Silver plating
2	Case	PA10T	1	Black
3	Contact	SUS	1	Contact side silver plating
4	防水硅胶	硅胶	1	Black
5	Cover	PA10T	1	Black
6	Stem	PA6T	1	Black